

CATALOGO TECNICO

Technical Catalogue

Prese a staffa

Clamp saddles



PLASTICA ALFA S.r.l



Azienda Certificata secondo le Norme
UNI EN ISO 9001:2000 Certificato n° 303
UNI EN ISO 14001:1996 Certificato n° 022

Informazioni Tecniche

Technical information

| | |
|---|--|
| MATERIALI MATERIALS | PRESA A STAFFA CLAMP SADDLE Corpo: polipropilene nero (PP) Guarnizioni: gomma nitrilica 70 shore (NBR) Bulloni: acciaio galvanizzato Anello di rinforzo: acciaio inox "AISI 430" Body: black polypropylene Gaskets: nitrile rubber 70 Shore (NBR) Bolts: galvanized steel Reinforcing ring: stainless steel "AISI 430" |
| TEMPERATURA TEMPERATURE | POLIPROPILENE 100° C. POLYPROPYLENE 100° C. |
| PRESSIONE MASSIMA MAX PRESSURE | 10 BAR: Staffa Semplice/Clamp saddle $\varnothing 20 \div \varnothing 63$ 6 BAR: Staffa Semplice/Clamp saddle $\varnothing 75 \div \varnothing 315$ 12.5 BAR: Con anello di rinforzo/with reinforcing ring: $\varnothing 20 \div \varnothing 63$ 10 BAR Con anello di rinforzo/with reinforcing ring $\varnothing 75 \div \varnothing 315$ (massima pressione d'esercizio alla temperatura di 20° C.) (maximum working pressure at the temperature of 20° C.) |
| PRESCRIZIONI SANITARIE | Pezzi speciali idonei al convogliamento di acqua potabile e fluidi alimentari. Conformi a quanto richiesto da DM (Salute) del 6 aprile 2004 n° 174. |
| SANITARY REGULATIONS | Special qualified pieces to the conveyance of drinking water and alimentary fluids. In conformity with as required in the DM (Salute) of 6 april 2004 n° 174. |
| DIMENSIONI E CARATTERISTICHE | Le Prese a staffa sono conformi alle norme UNI EN ISO 13460, UNI EN 10226/1, ANSI/ASME B1.20.1 Per tubi in PE conformi alle norme: UNI 7990, UNI EN 12201 - 2 - UNI EN ISO 15494. |
| DIMENSIONS AND CHARACTERISTICS | The Clamp saddles are in conformity with the standard UNI EN ISO 13460 e UNI EN 10226/1, ANSI/ASME B1.20.1 For PE pipes in conformity with the standard UNI 7990, UNI EN 12201 - 2 - UNI EN ISO 15494. |

Istuzioni di montaggio

Assembly instructions



1. Dopo aver individuato il punto di applicazione, preparare la staffa i bulloni e la guarnizione.

.....
After locating the site, prepare the clamp saddle, the bolts and the o'ring.



2. Posizionare la parte inferiore della staffa sul tubo.

.....
Position the saddle lower part on the pipe



3. Dopo aver inserito la guarnizione nell'apposita sede, posizionare la parte superiore e cominciare a serrare i bulloni per fare aderire le due selle.

.....
After inserting the o'ring in its proper seat, position the saddle upper part and start screwing the bolts.



4. Con l'ausilio di una chiave, serrare i bulloni per una perfetta aderenza della staffa sul tubo.

.....
Screw the bolts with a key to make the saddle adhere to the pipe.



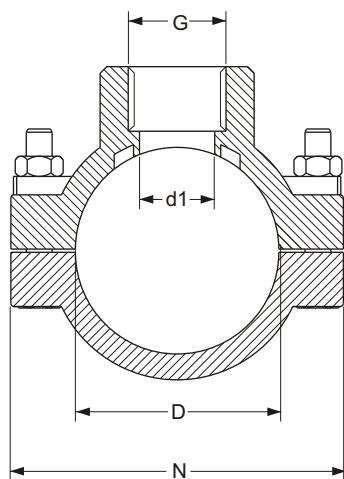
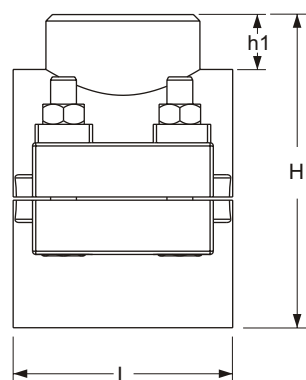
5. Forare con l'ausilio di un trapano, perpendicolarmente al tubo. L'attacco filettato è pronto per essere raccordato alla derivazione.

.....
Drill the pipe perpendicularly. The threaded part is ready to be connected.

Pres a staffa semplice per tubi in PE e PVC

Art. 17010

Clamp saddle for PE and PVC pipes

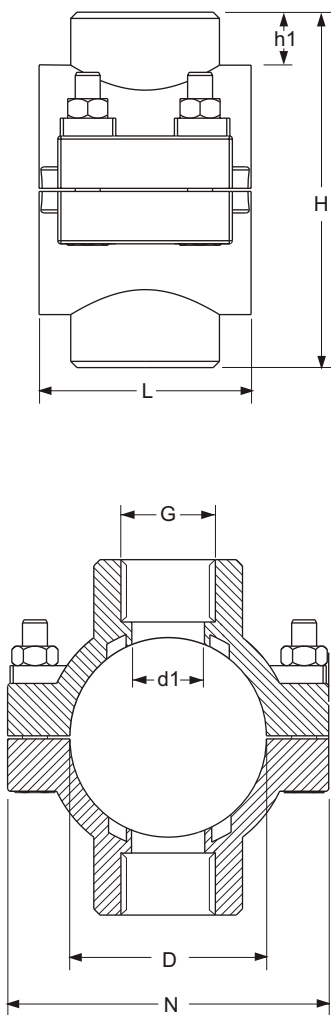


| D x G | d1 | N | L | H | h1 | Bulloni N. | Tipo | O.R | Peso |
|--------------|------|-------|------|-------|------|------------|-------|--------------|------|
| 25 x 1/2" | 12 | 84,5 | 50 | 61 | 19,5 | 2 | 8x35 | 15,47 x 3,53 | 117 |
| 25 x 3/4" | 12 | 84,5 | 50 | 61 | 19,5 | 2 | 8x35 | 15,47 x 3,53 | 122 |
| 32 x 1/2" | 16,5 | 84,5 | 50 | 61 | 19,5 | 2 | 8x35 | 21,83 x 3,53 | 116 |
| 32 x 3/4" | 16,5 | 84,5 | 50 | 61 | 19,5 | 2 | 8x35 | 21,83 x 3,53 | 116 |
| 32 x 1" | 16,5 | 84,5 | 50 | 61 | 20 | 2 | 8x35 | 21,83 x 3,53 | 117 |
| 40 x 1/2" | 17,5 | 83 | 60 | 70 | 19,5 | 2 | 8x35 | 28,17 x 3,53 | 123 |
| 40 x 3/4" | 17,5 | 83 | 60 | 70 | 19,5 | 2 | 8x35 | 28,17 x 3,53 | 124 |
| 40 x 1" | 23,5 | 83 | 60 | 70 | 19,5 | 2 | 8x35 | 28,17 x 3,53 | 123 |
| 50 x 1/2" | 17,5 | 90 | 68 | 81 | 18 | 2 | 8x35 | 37,69 x 3,53 | 130 |
| 50 x 3/4" | 17,5 | 90 | 68 | 81 | 19 | 2 | 8x35 | 37,69 x 3,53 | 135 |
| 50 x 1" | 25 | 90 | 68 | 81 | 22 | 2 | 8x35 | 37,69 x 3,53 | 140 |
| 50 x 1 1/4" | 31,5 | 90 | 68 | 81 | 22 | 2 | 8x35 | 37,69 x 3,53 | 139 |
| 63 x 1/2" | 17,5 | 96 | 67,5 | 98,5 | 17 | 4 | 8x50 | 31 x 5 | 248 |
| 63 x 3/4" | 17,5 | 96 | 67,5 | 98,5 | 17 | 4 | 8x50 | 31 x 5 | 250 |
| 63 x 1" | 23,5 | 96 | 67,5 | 98,5 | 17 | 4 | 8x50 | 31 x 5 | 260 |
| 63 x 1 1/4" | 31 | 96 | 67,5 | 98,5 | 17 | 4 | 8x50 | 31 x 5 | 252 |
| 63 x 1 1/2" | 36 | 96 | 67,5 | 98,5 | 17 | 4 | 8x50 | 31 x 5 | 250 |
| 75 x 1/2" | 18 | 114 | 75 | 113 | 19,5 | 4 | 8x50 | 56,52 x 5,34 | 287 |
| 75 x 3/4" | 18 | 114 | 75 | 113 | 19,5 | 4 | 8x50 | 56,52 x 5,34 | 297 |
| 75 x 1" | 25 | 114 | 75 | 113 | 19,5 | 4 | 8x50 | 56,52 x 5,34 | 301 |
| 75 x 1 1/4" | 32 | 114 | 75 | 113 | 19,5 | 4 | 8x50 | 56,52 x 5,34 | 305 |
| 75 x 1 1/2" | 38 | 114 | 75 | 113 | 19,5 | 4 | 8x50 | 56,52 x 5,34 | 307 |
| 75 x 2" | 49,5 | 114 | 75 | 113 | 19,5 | 4 | 8x50 | 56,52 x 5,34 | 301 |
| 90 x 1/2" | 18 | 125 | 84,5 | 129 | 20 | 4 | 8x50 | 56,52 x 5,34 | 347 |
| 90 x 3/4" | 18 | 123 | 84,5 | 129 | 20 | 4 | 8x50 | 56,52 x 5,34 | 339 |
| 90 x 1" | 25 | 125 | 84,5 | 129 | 20 | 4 | 8x50 | 56,52 x 5,34 | 348 |
| 90 x 1 1/4" | 32 | 125 | 84,5 | 129 | 20 | 4 | 8x50 | 56,52 x 5,34 | 340 |
| 90 x 1 1/2" | 38 | 127 | 84,5 | 129 | 20 | 4 | 8x50 | 56,52 x 5,34 | 342 |
| 90 x 2" | 49 | 125 | 84,5 | 129 | 20 | 4 | 8x50 | 56,52 x 5,34 | 365 |
| 110 x 1/2" | 18 | 146,5 | 99 | 151 | 18 | 4 | 8x50 | 49 x 6,5 | 443 |
| 110 x 3/4" | 24 | 150 | 99 | 151 | 18 | 4 | 8x50 | 49 x 6,5 | 450 |
| 110 x 1" | 25 | 150 | 99 | 151 | 18 | 4 | 8x50 | 49 x 6,5 | 449 |
| 110 x 1 1/4" | 39 | 150 | 99 | 151 | 18 | 4 | 8x50 | 49 x 6,5 | 458 |
| 110 x 1 1/2" | 41 | 150 | 99 | 151 | 18 | 4 | 8x50 | 49 x 6,5 | 454 |
| 110 x 2" | 41 | 150 | 99 | 154 | 22,5 | 4 | 8x50 | 49 x 6,5 | 475 |
| 110 x 2 1/2" | 41 | 150 | 99 | 154 | 22,5 | 4 | 8x50 | 49 x 6,5 | 480 |
| 110 x 3" | 41 | 150 | 99 | 154 | 22,5 | 4 | 8x50 | 73 x 7 | 480 |
| 125 x 3/4" | 18 | 171 | 99,5 | 167 | 19 | 4 | 8x50 | 72,39 x 5,34 | 463 |
| 125 x 1" | 25 | 171 | 99,5 | 167 | 19 | 4 | 8x50 | 72,39 x 5,34 | 449 |
| 125 x 1 1/4" | 32 | 171 | 99,5 | 167 | 19 | 4 | 8x50 | 72,39 x 5,34 | 475 |
| 125 x 1 1/2" | 38 | 171 | 99,5 | 167 | 19 | 4 | 8x50 | 72,39 x 5,34 | 475 |
| 125 x 2" | 49 | 171 | 99,5 | 167 | 19 | 4 | 8x50 | 72,39 x 5,34 | 470 |
| 125 x 2 1/2" | 65 | 171 | 99,5 | 167 | 19 | 4 | 8x50 | 72,39 x 5,34 | 475 |
| 140 x 1" | 30,5 | 180 | 137 | 188,5 | 25 | 6 | 8x60 | 85,09 x 5,34 | 817 |
| 140 x 1 1/4" | 38 | 180 | 137 | 188,5 | 25 | 6 | 8x60 | 85,09 x 5,34 | 814 |
| 140 x 1 1/2" | 43 | 180 | 137 | 188,5 | 25 | 6 | 8x60 | 85,09 x 5,34 | 814 |
| 140 x 2" | 51 | 180 | 137 | 188,5 | 25 | 6 | 8x60 | 85,09 x 5,34 | 877 |
| 140 x 3" | 77 | 180 | 137 | 188,5 | 25 | 6 | 8x60 | 85,09 x 5,34 | 866 |
| 160 x 1/2" | 30 | 197 | 137 | 213 | 25 | 6 | 8x60 | 85,09 x 5,34 | 865 |
| 160 x 3/4" | 38 | 203 | 137 | 213 | 25 | 6 | 8x60 | 85,09 x 5,34 | 865 |
| 160 x 1" | 30 | 197 | 137 | 213 | 25 | 6 | 8x60 | 85,09 x 5,34 | 865 |
| 160 x 1 1/4" | 38 | 203 | 137 | 213 | 25 | 6 | 8x60 | 85,09 x 5,34 | 875 |
| 160 x 1 1/2" | 43,5 | 204 | 137 | 209 | 25,5 | 6 | 8x60 | 85,09 x 5,34 | 887 |
| 160 x 2" | 51 | 208 | 137 | 204 | 25,5 | 6 | 8x60 | 85,09 x 5,34 | 875 |
| 160 x 3" | 77 | 208 | 137 | 215,5 | 35,5 | 6 | 8x60 | 85,09 x 5,34 | 908 |
| 160 x 4" | 102 | 208 | 137 | 210,5 | 36,5 | 6 | 8x60 | 85,09 x 5,34 | 969 |
| 200 x 3/4" | 26 | 270 | 195 | 252 | 23 | 6 | 12x70 | 114,7 x 7 | 2065 |
| 200 x 1" | 26 | 270 | 195 | 252 | 23 | 6 | 12x70 | 114,7 x 7 | 2065 |
| 200 x 1 1/4" | 30,5 | 270 | 195 | 247 | 25 | 6 | 12x70 | 114,7 x 7 | 2030 |
| 200 x 1 1/2" | 44 | 270 | 195 | 243 | 25,5 | 6 | 12x70 | 114,7 x 7 | 2135 |
| 200 x 2" | 51,5 | 270 | 195 | 246 | 25 | 6 | 12x70 | 114,7 x 7 | 2035 |
| 200 x 3" | 77 | 270 | 195 | 252 | 35,5 | 6 | 12x70 | 114,7 x 7 | 2073 |
| 200 x 4" | 102 | 270 | 195 | 255,5 | 35,5 | 6 | 12x70 | 114,7 x 7 | 2080 |
| 225 x 1/2" | 30 | 300 | 195 | 267 | 25,5 | 6 | 12x70 | 114,7 x 7 | 2160 |
| 225 x 3/4" | 30 | 300 | 195 | 267 | 25,5 | 6 | 12x70 | 114,7 x 7 | 2160 |
| 225 x 1" | 30 | 300 | 195 | 267 | 25,5 | 6 | 12x70 | 114,7 x 7 | 2160 |
| 225 x 1 1/4" | 30 | 286 | 195 | 273 | 25,5 | 6 | 12x70 | 114,7 x 7 | 2712 |
| 225 x 1 1/2" | 44 | 286 | 195 | 274,5 | 25,5 | 6 | 12x70 | 114,7 x 7 | 2164 |
| 225 x 2" | 51,5 | 289 | 195 | 271 | 25 | 6 | 12x70 | 114,7 x 7 | 2197 |
| 225 x 3" | 77 | 302 | 195 | 279 | 35,5 | 6 | 12x70 | 114,7 x 7 | 2228 |
| 225 x 4" | 102 | 300 | 195 | 280 | 35,5 | 6 | 12x70 | 114,7 x 7 | 2220 |
| 250 x 1" | 30 | 322 | 242 | 294,5 | 24,5 | 6 | 12x70 | 114,7 x 7 | 2712 |
| 250 x 1 1/4" | 30 | 324 | 244 | 295,5 | 25,5 | 6 | 12x70 | 114,7 x 7 | 2712 |
| 250 x 1 1/2" | 30 | 322 | 242 | 294,5 | 24,5 | 6 | 12x70 | 114,7 x 7 | 2712 |
| 250 x 2" | 51,5 | 331 | 244 | 295,5 | 25 | 6 | 12x70 | 114,7 x 7 | 2713 |
| 250 x 3" | 77 | 339 | 243 | 298 | 35 | 6 | 12x70 | 114,7 x 7 | 2750 |
| 250 x 4" | 102 | 327 | 243 | 298 | 36 | 6 | 12x70 | 114,7 x 7 | 2765 |
| 315 x 1" | 33,5 | 392 | 244 | 373,5 | 23,5 | 6 | 12x70 | 114,7 x 7 | 4005 |
| 315 x 1 1/4" | 33,5 | 392 | 244 | 373,5 | 23,5 | 6 | 12x70 | 114,7 x 7 | 4010 |
| 315 x 1 1/2" | 33,5 | 392 | 244 | 373,5 | 23,5 | 6 | 12x70 | 114,7 x 7 | 4020 |
| 315 x 2" | 51 | 396 | 244 | 375,5 | 25,5 | 6 | 12x70 | 114,7 x 7 | 4050 |
| 315 x 3" | 77 | 394 | 244 | 380,5 | 35 | 6 | 12x70 | 114,7 x 7 | 4065 |
| 315 x 4" | 102 | 401 | 244 | 384,5 | 35 | 6 | 12x70 | 114,7 x 7 | 4125 |

Pres a staffa doppia per tubi in PE e PVC

Art. 17020

Double clamp saddle for PE and PVC pipes

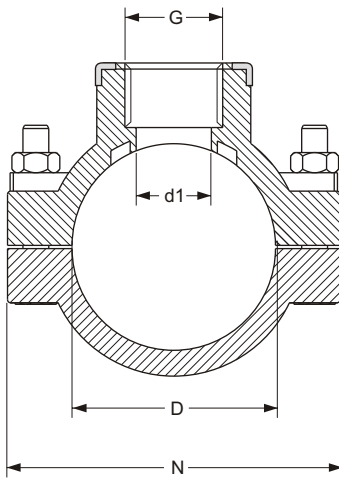
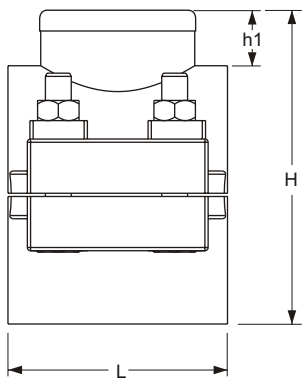


| D x G | d1 | N | L | H | h1 | Bulloni N. | Tipico | O.R | Peso |
|--------------|------|-------|------|-------|------|------------|--------|------------|------|
| 25 x 1/2" | 12 | 84,5 | 50 | 80,5 | 19,5 | 2 | 8x35 | 15,47x3,53 | 124 |
| 25 x 3/4" | 12 | 84,5 | 50 | 80,5 | 19,5 | 2 | 8x35 | 15,47x3,53 | 130 |
| 32 x 1/2" | 16,5 | 84,5 | 50 | 80,5 | 19,5 | 2 | 8x35 | 21,83x3,53 | 121 |
| 32 x 3/4" | 16,5 | 84,5 | 50 | 80,5 | 19,5 | 2 | 8x35 | 21,83x3,53 | 131 |
| 32 x 1" | 16,5 | 84,5 | 50 | 80,5 | 19,5 | 2 | 8x35 | 21,83x3,53 | 130 |
| 40 x 1/2" | 17,5 | 83 | 60 | 89,5 | 19,5 | 2 | 8x35 | 28,17x3,53 | 126 |
| 40 x 3/4" | 17,5 | 83 | 60 | 89,5 | 19,5 | 2 | 8x35 | 28,17x3,53 | 128 |
| 40 x 1" | 23,5 | 83 | 60 | 89,5 | 19,5 | 2 | 8x35 | 28,17x3,53 | 137 |
| 50 x 1/2" | 17,5 | 90 | 68 | 99 | 18 | 2 | 8x35 | 37,69x3,53 | 136 |
| 50 x 3/4" | 17,5 | 90 | 68 | 100 | 19 | 2 | 8x35 | 37,69x3,53 | 145 |
| 50 x 1" | 25 | 90 | 68 | 103 | 22 | 2 | 8x35 | 37,69x3,53 | 161 |
| 50 x 1 1/4" | 31,5 | 90 | 68 | 103 | 22 | 2 | 8x35 | 37,69x3,53 | 157 |
| 63 x 1/2" | 17,5 | 96 | 67,5 | 115,5 | 17 | 4 | 8x50 | 31x5 | 230 |
| 63 x 3/4" | 17 | 96 | 67,5 | 115,5 | 17 | 4 | 8x50 | 31x5 | 263 |
| 63 x 1" | 23,5 | 96 | 67,5 | 115,5 | 17 | 4 | 8x50 | 31x5 | 266 |
| 63 x 1 1/4" | 31 | 96 | 67,5 | 115,5 | 17 | 4 | 8x50 | 31x5 | 264 |
| 63 x 1 1/2" | 35,7 | 96 | 67,5 | 115,5 | 17 | 4 | 8x50 | 31x5 | 245 |
| 75 x 1/2" | 18 | 114 | 75 | 132,5 | 19,5 | 4 | 8x50 | 56,52x5,34 | 283 |
| 75 x 3/4" | 18 | 114 | 75 | 132,5 | 19,5 | 4 | 8x50 | 56,52x5,34 | 305 |
| 75 x 1" | 25 | 114 | 75 | 132,5 | 19,5 | 4 | 8x50 | 56,52x5,34 | 313 |
| 75 x 1 1/4" | 32 | 114 | 75 | 132,5 | 19,5 | 4 | 8x50 | 56,52x5,34 | 318 |
| 75 x 1 1/2" | 38 | 114 | 75 | 132,5 | 19,5 | 4 | 8x50 | 56,52x5,34 | 320 |
| 75 x 2" | 49,5 | 114 | 75 | 132,5 | 19,5 | 4 | 8x50 | 56,52x5,34 | 310 |
| 90 x 1/2" | 18 | 125 | 84,5 | 149 | 20 | 4 | 8x50 | 56,52x5,34 | 316 |
| 90 x 3/4" | 18 | 123 | 84,5 | 149 | 20 | 4 | 8x50 | 56,52x5,34 | 344 |
| 90 x 1" | 25 | 125,5 | 84,5 | 149 | 20 | 4 | 8x50 | 56,52x5,34 | 351 |
| 90 x 1 1/4" | 32 | 125 | 84,5 | 149 | 20 | 4 | 8x50 | 56,52x5,34 | 337 |
| 90 x 1 1/2" | 38 | 127 | 84,5 | 149 | 20 | 4 | 8x50 | 56,52x5,34 | 338 |
| 90 x 2" | 49 | 125 | 84,5 | 149 | 20 | 4 | 8x50 | 56,52x5,34 | 404 |
| 110 x 1/2" | 18 | 146,5 | 99 | 169 | 18 | 4 | 8x50 | 49x6,5 | 443 |
| 110 x 3/4" | 24 | 150 | 99 | 169 | 18 | 4 | 8x50 | 49x6,5 | 445 |
| 110 x 1" | 25 | 150 | 99 | 169 | 18 | 4 | 8x50 | 49x6,5 | 454 |
| 110 x 1 1/4" | 39 | 150 | 99 | 169 | 18 | 4 | 8x50 | 49x6,5 | 454 |
| 110 x 1 1/2" | 41 | 150 | 99 | 169 | 18 | 4 | 8x50 | 49x6,5 | 450 |
| 110 x 2" | 41 | 150 | 99 | 176,5 | 22,5 | 4 | 8x50 | 49x6,5 | 464 |
| 110 x 2 1/2" | 41 | 150 | 99 | 176,5 | 22,5 | 4 | 8x50 | 49x6,5 | 455 |
| 110 x 3" | 41 | 150 | 99 | 176,5 | 22,5 | 4 | 8x50 | 49x6,5 | 455 |
| 125 x 3/4" | 18 | 171 | 99,5 | 186 | 19 | 4 | 8x50 | 72,39x5,34 | 452 |
| 125 x 1" | 25 | 171 | 99,5 | 186 | 19 | 4 | 8x50 | 72,39x5,34 | 453 |
| 125 x 1 1/4" | 32 | 171 | 99,5 | 186 | 19 | 4 | 8x50 | 72,39x5,34 | 460 |
| 125 x 1 1/2" | 38 | 171 | 99,5 | 186 | 19 | 4 | 8x50 | 72,39x5,34 | 464 |
| 125 x 2" | 49 | 171 | 99,5 | 186 | 19 | 4 | 8x50 | 72,39x5,34 | 470 |
| 125 x 2 1/2" | 65 | 171 | 99,5 | 186 | 19 | 4 | 8x50 | 72,39x5,34 | 480 |
| 140 x 1" | 30,5 | 180 | 137 | 214 | 25 | 6 | 8x60 | 85,09x5,34 | 888 |
| 140 x 1 1/4" | 38 | 180 | 137 | 214 | 25 | 6 | 8x60 | 85,09x5,34 | 882 |
| 140 x 1 1/2" | 43 | 180 | 137 | 214 | 25 | 6 | 8x60 | 85,09x5,34 | 882 |
| 140 x 2" | 51 | 180 | 137 | 214 | 25 | 6 | 8x60 | 85,09x5,34 | 1010 |
| 140 x 3" | 77 | 180 | 137 | 214 | 25 | 6 | 8x60 | 85,09x5,34 | 986 |
| 160 x 1/2" | 30 | 197 | 137 | 238,5 | 25 | 6 | 8x60 | 85,09x5,34 | 930 |
| 160 x 3/4" | 38 | 203 | 137 | 238,5 | 25 | 6 | 8x60 | 85,09x5,34 | 926 |
| 160 x 1" | 30 | 197 | 137 | 238,5 | 25 | 6 | 8x60 | 85,09x5,34 | 930 |
| 160 x 1 1/4" | 38 | 203 | 137 | 238,5 | 25 | 6 | 8x60 | 85,09x5,34 | 926 |
| 160 x 1 1/2" | 43,5 | 204 | 137 | 234,5 | 25,5 | 6 | 8x60 | 85,09x5,34 | 974 |
| 160 x 2" | 51 | 208 | 137 | 229,5 | 25,5 | 6 | 8x60 | 85,09x5,34 | 948 |
| 160 x 3" | 77 | 208 | 137 | 251 | 35,5 | 6 | 8x60 | 85,09x5,34 | 1014 |
| 160 x 4" | 102 | 208 | 137 | 247 | 36,5 | 6 | 8x60 | 85,09x5,34 | 1032 |
| 200 x 3/4" | 26 | 270 | 195 | 274,5 | 23 | 6 | 12x70 | 114,7x7 | 2202 |
| 200 x 1" | 26 | 270 | 195 | 274,5 | 23 | 6 | 12x70 | 114,7x7 | 2202 |
| 200 x 1 1/4" | 30 | 270 | 195 | 272 | 25 | 6 | 12x70 | 114,7x7 | 2132 |
| 200 x 1 1/2" | 44 | 270 | 195 | 294 | 25,5 | 6 | 12x70 | 114,7x7 | 2342 |
| 200 x 2" | 51,5 | 270 | 195 | 271 | 25 | 6 | 12x70 | 114,7x7 | 2142 |
| 200 x 3" | 77 | 270 | 195 | 286,5 | 35,5 | 6 | 12x70 | 114,7x7 | 2212 |
| 200 x 4" | 102 | 270 | 195 | 290,5 | 35,5 | 6 | 12x70 | 114,7x7 | 2232 |
| 225 x 1/2" | 30 | 300 | 195 | 318 | 51 | 6 | 12x70 | 114,7x7 | 2240 |
| 225 x 3/4" | 30 | 300 | 195 | 318 | 51 | 6 | 12x70 | 114,7x7 | 2240 |
| 225 x 1" | 30 | 300 | 195 | 318 | 51 | 6 | 12x70 | 114,7x7 | 2240 |
| 225 x 1 1/4" | 30 | 286 | 195 | 298,5 | 26 | 6 | 12x70 | 114,7x7 | 2240 |
| 225 x 1 1/2" | 44 | 286 | 195 | 300 | 26 | 6 | 12x70 | 114,7x7 | 2242 |
| 225 x 2" | 51,5 | 289 | 195 | 295,5 | 25 | 6 | 12x70 | 114,7x7 | 2312 |
| 225 x 3" | 77 | 302 | 195 | 314,5 | 35,5 | 6 | 12x70 | 114,7x7 | 2376 |
| 225 x 4" | 102 | 300 | 195 | 315,5 | 35,5 | 6 | 12x70 | 114,7x7 | 2366 |
| 250 x 1" | 30 | 322 | 242 | 319 | 24,5 | 6 | 12x70 | 114,7x7 | 2804 |
| 250 x 1 1/4" | 30 | 324 | 244 | 321 | 25,5 | 6 | 12x70 | 114,7x7 | 2804 |
| 250 x 1 1/2" | 30 | 324 | 244 | 321 | 25,5 | 6 | 12x70 | 114,7x7 | 2804 |
| 250 x 2" | 51,5 | 331 | 244 | 320 | 25 | 6 | 12x70 | 114,7x7 | 2806 |
| 250 x 3" | 77,5 | 339 | 243 | 333 | 35 | 6 | 12x70 | 114,7x7 | 2882 |
| 250 x 4" | 102 | 327 | 243 | 334 | 36 | 6 | 12x70 | 114,7x7 | 2912 |
| 315 x 1" | 33,5 | 392 | 244 | 397,5 | 23,5 | 6 | 12x70 | 114,7x7 | 4050 |
| 315 x 1 1/4" | 51 | 396 | 244 | 401 | 25,5 | 6 | 12x70 | 114,7x7 | 4060 |
| 315 x 1 1/2" | 77 | 394 | 244 | 415,5 | 35 | 6 | 12x70 | 114,7x7 | 4070 |
| 315 x 2" | 51 | 396 | 244 | 401 | 25,5 | 6 | 12x70 | 114,7x7 | 4150 |
| 315 x 3" | 77 | 394 | 244 | 415,5 | 35 | 6 | 12x70 | 114,7x7 | 4180 |
| 315 x 4" | 102 | 401 | 244 | 419,5 | 35 | 6 | 12x70 | 114,7x7 | 4300 |

Pres a staffa con anello di rinforzo

Art. 17011

Clamp saddle with reinforcing ring

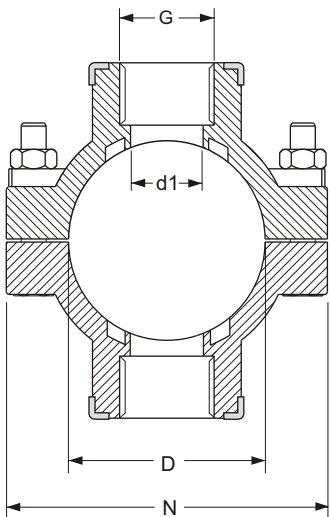
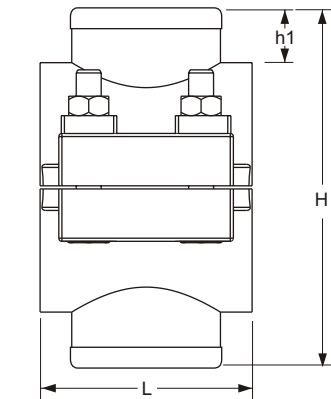


| D x G | d1 | N | L | H | h1 | Bulloni | | O.R | Peso |
|--------------|------|-------|------|-------|------|---------|---------|------------|------|
| | | | | | | N. | Tipo | | |
| 25 x 1/2" | 12 | 84,5 | 50 | 61 | 19,5 | 2 | 8 x 35 | 15,47x3,53 | 127 |
| 25 x 3/4" | 12 | 84,5 | 50 | 61 | 19,5 | 2 | 8 x 35 | 15,47x3,53 | 134 |
| 32 x 1/2" | 16,5 | 84,5 | 50 | 61 | 19,5 | 2 | 8 x 35 | 21,83x3,53 | 126 |
| 32 x 3/4" | 16,5 | 84,5 | 50 | 61 | 19,5 | 2 | 8 x 35 | 21,83x3,53 | 128 |
| 40 x 1/2" | 17,5 | 83 | 60 | 70 | 19,5 | 2 | 8 x 35 | 28,17x3,53 | 133 |
| 40 x 3/4" | 17,5 | 83 | 60 | 70 | 19,5 | 2 | 8 x 35 | 28,17x3,53 | 136 |
| 50 x 1/2" | 17,5 | 90 | 68 | 81 | 18 | 2 | 8 x 35 | 37,69x3,53 | 140 |
| 50 x 3/4" | 17,5 | 90 | 68 | 81 | 19 | 2 | 8 x 35 | 37,69x3,53 | 147 |
| 50 x 1" | 25 | 90 | 68 | 81 | 22 | 2 | 8 x 35 | 37,69x3,53 | 154 |
| 63 x 1/2" | 17,5 | 96 | 67,5 | 98,5 | 17 | 4 | 8 x 50 | 31x5 | 258 |
| 63 x 3/4" | 17,5 | 96 | 67,5 | 98,5 | 17 | 4 | 8 x 50 | 31x5 | 262 |
| 63 x 1" | 23,5 | 96 | 67,5 | 98,5 | 17 | 4 | 8 x 50 | 31,5 | 274 |
| 63 x 1 1/4" | 31 | 96 | 67,5 | 98,5 | 17 | 4 | 8 x 50 | 43,82x5,34 | 268 |
| 75 x 1/2" | 18 | 114 | 75 | 113 | 19,5 | 4 | 8 x 50 | 56,52x5,34 | 297 |
| 75 x 3/4" | 18 | 114 | 75 | 113 | 19,5 | 4 | 8 x 50 | 56,52x5,34 | 309 |
| 75 x 1" | 25 | 114 | 75 | 113 | 19,5 | 4 | 8 x 50 | 56,52x5,34 | 315 |
| 75 x 1 1/4" | 32 | 114 | 75 | 113 | 19,5 | 4 | 8 x 50 | 56,52x5,34 | 321 |
| 75 x 1 1/2" | 38 | 114 | 75 | 113 | 19,5 | 4 | 8 x 50 | 56,52x5,34 | 325 |
| 90 x 1/2" | 18 | 125 | 84,5 | 129 | 20 | 4 | 8 x 50 | 56,52x5,34 | 357 |
| 90 x 3/4" | 18 | 123 | 84,5 | 129 | 20 | 4 | 8 x 50 | 56,52x5,34 | 351 |
| 90 x 1" | 25 | 125 | 84,5 | 129 | 20 | 4 | 8 x 50 | 56,52x5,34 | 362 |
| 90 x 1 1/4" | 32 | 125 | 84,5 | 129 | 20 | 4 | 8 x 50 | 56,52x5,34 | 356 |
| 90 x 1 1/2" | 38 | 127 | 84,5 | 129 | 20 | 4 | 8 x 50 | 56,52x5,34 | 360 |
| 90 x 2" | 49 | 125 | 84,5 | 129 | 20 | 4 | 8 x 50 | 56,52x5,34 | 393 |
| 110 x 1/2" | 18 | 146,5 | 99 | 151 | 18 | 4 | 8 x 50 | 49x6,5 | 453 |
| 110 x 3/4" | 24 | 150 | 99 | 151 | 18 | 4 | 8 x 50 | 49x6,5 | 462 |
| 110 x 1" | 25 | 150 | 99 | 151 | 18 | 4 | 8 x 50 | 49x6,5 | 463 |
| 110 x 1 1/4" | 39 | 150 | 99 | 151 | 18 | 4 | 8 x 50 | 49x6,5 | 474 |
| 110 x 1 1/2" | 41 | 150 | 99 | 151 | 18 | 4 | 8 x 50 | 49x6,5 | 472 |
| 110 x 2" | 41 | 150 | 99 | 154 | 22,5 | 4 | 8 x 50 | 49x6,5 | 503 |
| 110 x 2 1/2" | 41 | 150 | 99 | 154 | 22,5 | 4 | 8 x 50 | 49x6,5 | 512 |
| 110 x 3" | 41 | 150 | 99 | 154 | 22,5 | 4 | 8 x 50 | 49x6,5 | 512 |
| 125 x 3/4" | 18 | 171 | 99,5 | 167 | 19 | 4 | 8 x 50 | 72,39x5,34 | 475 |
| 125 x 1" | 25 | 171 | 99,5 | 167 | 19 | 4 | 8 x 50 | 72,39x5,34 | 463 |
| 125 x 1 1/4" | 32 | 171 | 99,5 | 167 | 19 | 4 | 8 x 50 | 72,39x5,34 | 491 |
| 125 x 1 1/2" | 38 | 171 | 99,5 | 167 | 19 | 4 | 8 x 50 | 72,39x5,34 | 493 |
| 125 x 2" | 49 | 171 | 99,5 | 167 | 19 | 4 | 8 x 50 | 72,39x5,34 | 498 |
| 140 x 1" | 30,5 | 180 | 137 | 188,5 | 25 | 6 | 8 x 60 | 85,09x5,34 | 831 |
| 140 x 1 1/4" | 38 | 180 | 137 | 188,5 | 25 | 6 | 8 x 60 | 85,09x5,34 | 830 |
| 140 x 1 1/2" | 43 | 180 | 137 | 188,5 | 25 | 6 | 8 x 60 | 85,09x5,34 | 832 |
| 140 x 2" | 51 | 180 | 137 | 188,5 | 25 | 6 | 8 x 60 | 85,09x5,34 | 905 |
| 140 x 3" | 77 | 180 | 137 | 188,5 | 25 | 6 | 8 x 60 | 85,09x5,34 | 909 |
| 160 x 1/2" | 24 | 197 | 137 | 213 | 25 | 6 | 8 x 60 | 85,09x5,34 | 890 |
| 160 x 3/4" | 24 | 197 | 137 | 213 | 25 | 6 | 8 x 60 | 85,09x5,34 | 890 |
| 160 x 1" | 30 | 197 | 137 | 213 | 25 | 6 | 8 x 60 | 85,09x5,34 | 879 |
| 160 x 1 1/4" | 38 | 203 | 137 | 213 | 25 | 6 | 8 x 60 | 85,09x5,34 | 891 |
| 160 x 1 1/2" | 43,5 | 204 | 137 | 209 | 25,5 | 6 | 8 x 60 | 85,09x5,34 | 905 |
| 160 x 2" | 51 | 208 | 137 | 204 | 25,5 | 6 | 8 x 60 | 85,09x5,34 | 903 |
| 160 x 3" | 77 | 208 | 137 | 215,5 | 35,5 | 6 | 8 x 60 | 85,09x5,34 | 951 |
| 160 x 4" | 102 | 208 | 137 | 210,5 | 36,5 | 6 | 8 x 60 | 85,09x5,34 | 1024 |
| 200 x 3/4" | 26 | 270 | 195 | 252 | 23 | 6 | 12 x 70 | 114,7x7 | 2079 |
| 200 x 1" | 26 | 270 | 195 | 252 | 23 | 6 | 12 x 70 | 114,7x7 | 2079 |
| 200 x 1 1/4" | 30,5 | 270 | 195 | 247 | 25 | 6 | 12 x 70 | 114,7x7 | 2046 |
| 200 x 1 1/2" | 44 | 270 | 195 | 243 | 25,5 | 6 | 12 x 70 | 114,7x7 | 2153 |
| 200 x 2" | 51,5 | 270 | 195 | 246 | 25 | 6 | 12 x 70 | 114,7x7 | 2063 |
| 200 x 3" | 77 | 270 | 195 | 252 | 35,5 | 6 | 12 x 70 | 114,7x7 | 2116 |
| 200 x 4" | 102 | 270 | 195 | 255,5 | 35,5 | 6 | 12 x 70 | 114,7x7 | 2135 |
| 225 x 1/2" | 24 | 300 | 195 | 267 | 25,5 | 6 | 12 x 70 | 114,7x7 | 2200 |
| 225 x 3/4" | 24 | 300 | 195 | 267 | 25,5 | 6 | 12 x 70 | 114,7x7 | 2200 |
| 225 x 1" | 30 | 300 | 195 | 267 | 25,5 | 6 | 12 x 70 | 114,7x7 | 2174 |
| 225 x 1 1/4" | 30 | 286 | 195 | 273 | 25,5 | 6 | 12 x 70 | 114,7x7 | 2728 |
| 225 x 1 1/2" | 44 | 286 | 195 | 274,5 | 25,5 | 6 | 12 x 70 | 114,7x7 | 2182 |
| 225 x 2" | 51,5 | 289 | 195 | 271 | 25 | 6 | 12 x 70 | 114,7x7 | 2225 |
| 225 x 3" | 77 | 302 | 195 | 279 | 35,5 | 6 | 12 x 70 | 114,7x7 | 2271 |
| 225 x 4" | 102 | 300 | 195 | 280 | 35,5 | 6 | 12 x 70 | 114,7x7 | 2275 |
| 250 x 1" | 30 | 330 | 244 | 294,5 | 24,5 | 6 | 12 x 70 | 114,7x7 | 2726 |
| 250 x 1 1/4" | 30 | 330 | 244 | 295,5 | 25,5 | 6 | 12 x 70 | 114,7x7 | 2728 |
| 250 x 1 1/2" | 44 | 330 | 244 | 296 | 26 | 6 | 12 x 70 | 114,7x7 | 2733 |
| 250 x 2" | 51,5 | 330 | 244 | 296 | 26 | 6 | 12 x 70 | 114,7x7 | 2741 |
| 250 x 3" | 77 | 330 | 243 | 298 | 35 | 6 | 12 x 70 | 114,7x7 | 2793 |
| 250 x 4" | 102 | 330 | 243 | 298 | 36 | 6 | 12 x 70 | 114,7x7 | 2820 |
| 315 x 1" | 33,5 | 400 | 244 | 373,5 | 23,5 | 6 | 12 x 70 | 114,7x7 | 4019 |
| 315 x 1 1/4" | 33,5 | 400 | 244 | 376 | 26 | 6 | 12 x 70 | 114,7x7 | 4030 |
| 315 x 1 1/2" | 44 | 400 | 244 | 376 | 26 | 6 | 12 x 70 | 114,7x7 | 4050 |
| 315 x 2" | 51 | 400 | 244 | 376 | 26 | 6 | 12 x 70 | 114,7x7 | 4078 |
| 315 x 3" | 77 | 400 | 244 | 380,5 | 35 | 6 | 12 x 70 | 114,7x7 | 4108 |
| 315 x 4" | 102 | 400 | 244 | 384,5 | 35 | 6 | 12 x 70 | 114,7x7 | 4180 |

Pres a staffa doppia con anello di rinforzo

Art. 17021

Double clamp saddle with reinforcing ring

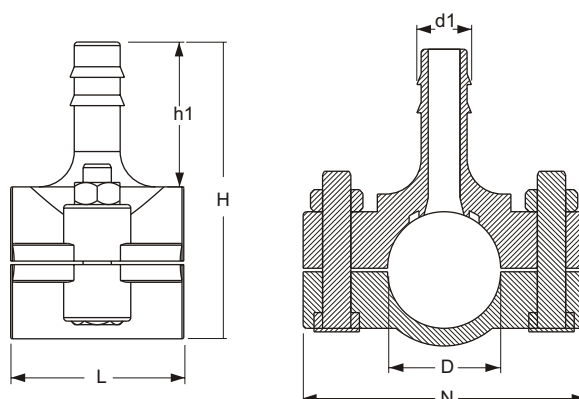


| D x G | d1 | N | L | H | h1 | Bulloni | | O.R | Peso |
|--------------|------|-------|------|-------|------|---------|-------|------------|------|
| | | | | | | N. | Tipo | | |
| 25 x 1/2" | 12 | 84,5 | 50 | 80,5 | 19,5 | 2 | 8x35 | 15,47x3,53 | 144 |
| 25 x 3/4" | 12 | 84,5 | 50 | 80,5 | 19,5 | 2 | 8x35 | 15,47x3,53 | 154 |
| 32 x 1/2" | 16,5 | 84,5 | 50 | 80,5 | 19,5 | 2 | 8x35 | 21,83x3,53 | 141 |
| 32 x 3/4" | 16,5 | 84,5 | 50 | 80,5 | 19,5 | 2 | 8x35 | 21,83x3,53 | 155 |
| 40 x 1/2" | 17,5 | 83 | 60 | 89,5 | 19,5 | 2 | 8x35 | 28,17x3,53 | 146 |
| 40 x 3/4" | 17,5 | 83 | 60 | 89,5 | 19,5 | 2 | 8x35 | 28,17x3,53 | 152 |
| 50 x 1/2" | 17,5 | 90 | 68 | 99 | 18 | 2 | 8x35 | 37,69x3,53 | 156 |
| 50 x 3/4" | 17,5 | 90 | 68 | 100 | 19 | 2 | 8x35 | 37,69x3,53 | 169 |
| 50 x 1" | 25 | 90 | 68 | 103 | 22 | 2 | 8x35 | 37,69x3,53 | 189 |
| 63 x 1/2" | 17,5 | 96 | 67,5 | 115,5 | 17 | 4 | 8x50 | 31x5 | 250 |
| 63 x 3/4" | 17 | 96 | 67,5 | 115,5 | 17 | 4 | 8x50 | 31x5 | 287 |
| 63 x 1" | 23,5 | 96 | 67,5 | 115,5 | 17 | 4 | 8x50 | 31x5 | 294 |
| 63 x 1 1/4" | 31 | 96 | 67,5 | 115,5 | 17 | 4 | 8x50 | 43,82x5,34 | 296 |
| 75 x 1/2" | 18 | 114 | 75 | 132,5 | 19,5 | 4 | 8x50 | 56,52x5,34 | 303 |
| 75 x 3/4" | 18 | 114 | 75 | 132,5 | 19,5 | 4 | 8x50 | 56,52x5,34 | 329 |
| 75 x 1" | 25 | 114 | 75 | 132,5 | 19,5 | 4 | 8x50 | 56,52x5,34 | 341 |
| 75 x 1 1/4" | 32 | 114 | 75 | 132,5 | 19,5 | 4 | 8x50 | 56,52x5,34 | 350 |
| 75 x 1 1/2" | 38 | 114 | 75 | 132,5 | 19,5 | 4 | 8x50 | 56,52x5,34 | 356 |
| 90 x 1/2" | 18 | 125 | 84,5 | 149 | 20 | 4 | 8x50 | 56,52x5,34 | 336 |
| 90 x 3/4" | 18 | 123 | 84,5 | 149 | 20 | 4 | 8x50 | 56,52x5,34 | 368 |
| 90 x 1" | 25 | 125,5 | 84,5 | 149 | 20 | 4 | 8x50 | 56,52x5,34 | 379 |
| 90 x 1 1/4" | 32 | 125 | 84,5 | 149 | 20 | 4 | 8x50 | 56,52x5,34 | 369 |
| 90 x 1 1/2" | 38 | 127 | 84,5 | 149 | 20 | 4 | 8x50 | 56,52x5,34 | 374 |
| 90 x 2" | 49 | 125 | 84,5 | 149 | 20 | 4 | 8x50 | 56,52x5,34 | 460 |
| 110 x 1/2" | 18 | 146,5 | 99 | 169 | 18 | 4 | 8x50 | 49x6,5 | 463 |
| 110 x 3/4" | 24 | 150 | 99 | 169 | 18 | 4 | 8x50 | 49x6,5 | 469 |
| 110 x 1" | 25 | 150 | 99 | 169 | 18 | 4 | 8x50 | 49x6,5 | 482 |
| 110 x 1 1/4" | 39 | 150 | 99 | 169 | 18 | 4 | 8x50 | 49x6,5 | 486 |
| 110 x 1 1/2" | 41 | 150 | 99 | 169 | 18 | 4 | 8x50 | 49x6,5 | 486 |
| 110 x 2" | 41 | 150 | 99 | 176,5 | 22,5 | 4 | 8x50 | 49x6,5 | 520 |
| 110 x 2 1/2" | 41 | 150 | 99 | 176,5 | 22,5 | 4 | 8x50 | 49x6,5 | 519 |
| 110 x 3" | 41 | 150 | 99 | 176,5 | 22,5 | 4 | 8x50 | 49x6,5 | 519 |
| 125 x 3/4" | 18 | 171 | 99,5 | 186 | 19 | 4 | 8x50 | 72,39x5,34 | 476 |
| 125 x 1" | 25 | 171 | 99,5 | 186 | 19 | 4 | 8x50 | 72,39x5,34 | 481 |
| 125 x 1 1/4" | 32 | 171 | 99,5 | 186 | 19 | 4 | 8x50 | 72,39x5,34 | 492 |
| 125 x 1 1/2" | 38 | 171 | 99,5 | 186 | 19 | 4 | 8x50 | 72,39x5,34 | 500 |
| 125 x 2" | 49 | 171 | 99,5 | 186 | 19 | 4 | 8x50 | 72,39x5,34 | 526 |
| 140 x 1" | 30,5 | 180 | 137 | 214 | 25 | 6 | 8x60 | 85,09x5,34 | 916 |
| 140 x 1 1/4" | 38 | 180 | 137 | 214 | 25 | 6 | 8x60 | 85,09x5,34 | 914 |
| 140 x 1 1/2" | 43 | 180 | 137 | 214 | 25 | 6 | 8x60 | 85,09x5,34 | 918 |
| 140 x 2" | 51 | 180 | 137 | 214 | 25 | 6 | 8x60 | 85,09x5,34 | 1066 |
| 140 x 3" | 77 | 180 | 137 | 214 | 25 | 6 | 8x60 | 85,09x5,34 | 1072 |
| 160 x 1/2" | 30 | 197 | 137 | 238,5 | 25 | 6 | 8x60 | 85,09x5,34 | 958 |
| 160 x 3/4" | 30 | 197 | 137 | 238,5 | 25 | 6 | 8x60 | 85,09x5,34 | 958 |
| 160 x 1" | 30 | 197 | 137 | 238,5 | 25 | 6 | 8x60 | 85,09x5,34 | 958 |
| 160 x 1 1/4" | 38 | 203 | 137 | 238,5 | 25 | 6 | 8x60 | 85,09x5,34 | 958 |
| 160 x 1 1/2" | 43,5 | 204 | 137 | 234,5 | 25,5 | 6 | 8x60 | 85,09x5,34 | 1010 |
| 160 x 2" | 51 | 208 | 137 | 229,5 | 25,5 | 6 | 8x60 | 85,09x5,34 | 1004 |
| 160 x 3" | 77 | 208 | 137 | 251 | 35,5 | 6 | 8x60 | 85,09x5,34 | 1100 |
| 160 x 4" | 102 | 208 | 137 | 247 | 36,5 | 6 | 8x60 | 85,09x5,34 | 1142 |
| 200 x 3/4" | 26 | 270 | 195 | 274,5 | 23 | 6 | 12x70 | 114,7x7 | 2230 |
| 200 x 1" | 26 | 270 | 195 | 274,5 | 23 | 6 | 12x70 | 114,7x7 | 2230 |
| 200 x 1 1/4" | 30 | 270 | 195 | 272 | 25 | 6 | 12x70 | 114,7x7 | 2164 |
| 200 x 1 1/2" | 44 | 270 | 195 | 272,5 | 25,5 | 6 | 12x70 | 114,7x7 | 2378 |
| 200 x 2" | 51,5 | 270 | 195 | 271 | 25 | 6 | 12x70 | 114,7x7 | 2198 |
| 200 x 3" | 77 | 270 | 195 | 286,5 | 35,5 | 6 | 12x70 | 114,7x7 | 2298 |
| 200 x 4" | 102 | 270 | 195 | 290,5 | 35,5 | 6 | 12x70 | 114,7x7 | 2342 |
| 225 x 1/2" | 30 | 300 | 195 | 292,5 | 25,5 | 6 | 12x70 | 114,7x7 | 2268 |
| 225 x 3/4" | 30 | 286 | 195 | 292,5 | 26 | 6 | 12x70 | 114,7x7 | 2272 |
| 225 x 1" | 30 | 300 | 195 | 292,5 | 25,5 | 6 | 12x70 | 114,7x7 | 2268 |
| 225 x 1 1/4" | 30 | 286 | 195 | 298,5 | 26 | 6 | 12x70 | 114,7x7 | 2272 |
| 225 x 1 1/2" | 44 | 286 | 195 | 300 | 26 | 6 | 12x70 | 114,7x7 | 2278 |
| 225 x 2" | 51,5 | 289 | 195 | 295,5 | 25 | 6 | 12x70 | 114,7x7 | 2368 |
| 225 x 3" | 77 | 302 | 195 | 314,5 | 35,5 | 6 | 12x70 | 114,7x7 | 2462 |
| 225 x 4" | 102 | 300 | 195 | 315,5 | 35,5 | 6 | 12x70 | 114,7x7 | 2476 |
| 250 x 1" | 30 | 322 | 242 | 319 | 24,5 | 6 | 12x70 | 114,7x7 | 2832 |
| 250 x 1 1/4" | 30 | 324 | 244 | 321 | 25,5 | 6 | 12x70 | 114,7x7 | 2836 |
| 250 x 1 1/2" | 30 | 324 | 244 | 321 | 25,5 | 6 | 12x70 | 114,7x7 | 2836 |
| 250 x 2" | 51,5 | 331 | 244 | 320 | 25 | 6 | 12x70 | 114,7x7 | 2862 |
| 250 x 3" | 77,5 | 339 | 243 | 333 | 35 | 6 | 12x70 | 114,7x7 | 2968 |
| 250 x 4" | 102 | 327 | 243 | 334 | 36 | 6 | 12x70 | 114,7x7 | 3022 |
| 315 x 1" | 33,5 | 392 | 244 | 373,5 | 23,5 | 6 | 12x70 | 114,7x7 | 4078 |
| 315 x 1 1/4" | 33,5 | 392 | 244 | 373,5 | 23,5 | 6 | 12x70 | 114,7x7 | 4078 |
| 315 x 1 1/2" | 51 | 396 | 244 | 401 | 25,5 | 6 | 12x70 | 114,7x7 | 4206 |
| 315 x 2" | 51 | 396 | 244 | 401 | 25,5 | 6 | 12x70 | 114,7x7 | 4206 |
| 315 x 3" | 77 | 394 | 244 | 415,5 | 35 | 6 | 12x70 | 114,7x7 | 4266 |
| 315 x 4" | 102 | 401 | 244 | 419,5 | 35 | 6 | 12x70 | 114,7x7 | 4410 |

Pres a staffa semplice per tubi in PE e PVC con derivazione $\varnothing 16$

Art. 17050

Clamp saddle for PE and PVC pipes with barbed offtake $\varnothing 16$

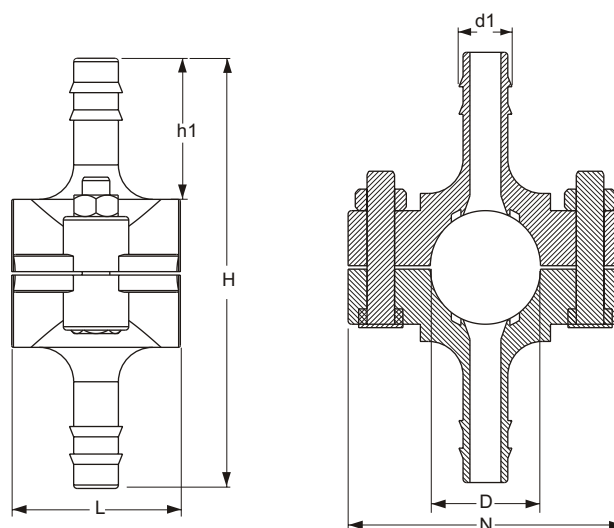


| D x G | d1 | N | L | H | h1 | Bulloni | | O.R | Peso |
|---------|------|------|------|----|----|---------|------|------------|------|
| | | | | | | N. | Tipo | | |
| 32 x 16 | 17,5 | 78,5 | 49,5 | 85 | 41 | 2 | 8x35 | 21,83x3,53 | 100 |

Pres a staffa doppia per tubi in PE e PVC con derivazione $\varnothing 16$

Art. 17060

Double clamp saddle for PE and PVC pipes with barbed offtake $\varnothing 16$

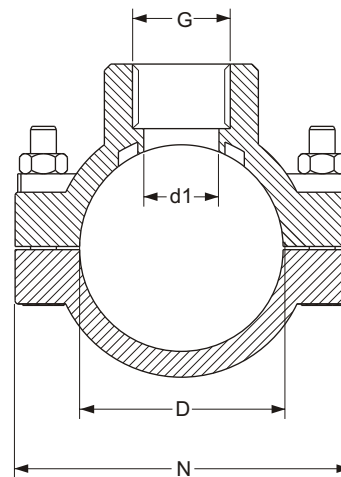
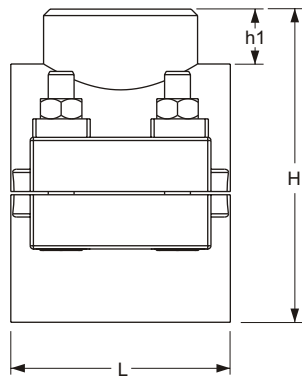


| D x G | d1 | N | L | H | h1 | Bulloni | | O.R | Peso |
|-----------|----|------|----|-----|------|---------|------|------------|------|
| | | | | | | N. | Tipo | | |
| 25 x 1/2" | 12 | 84,5 | 50 | 100 | 19,5 | 2 | 8x35 | 15,47x3,53 | 140 |

Pres a staffa semplice per tubi zincati

Art. 17030

Clamp saddle for galvanized pipes

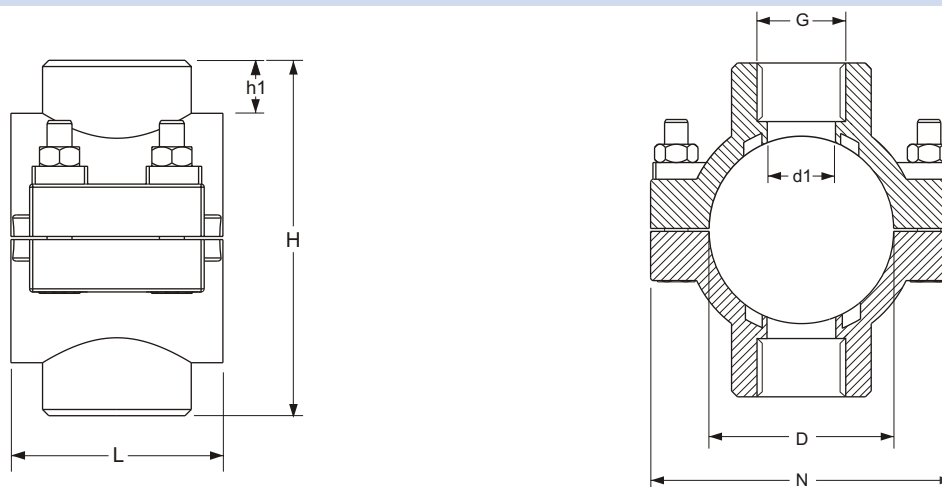


| D x G | d1 | N | L | H | h1 | Bulloni | | O.R | Peso |
|-------------|----|-------|------|-------|------|---------|------|------------|------|
| | | | | | | N. | Tipo | | |
| 60 x 1"1/2 | 18 | 101 | 68 | 93 | 17 | 4 | 8x50 | 42,86x3,53 | 230 |
| 60 x 3/4" | 23 | 99 | 68 | 97 | 17 | 4 | 8x50 | 42,86x3,53 | 250 |
| 60 x 1" | 23 | 99 | 68 | 94 | 17 | 4 | 8x50 | 42,86x3,53 | 220 |
| 60 x 1"1/4 | 32 | 101 | 68 | 93 | 18 | 4 | 8x50 | 42,86x3,53 | 240 |
| 80 x 1/2" | 18 | 131,5 | 85 | 124 | 20 | 4 | 8x50 | 56,52x5,34 | 310 |
| 80 x 3/4" | 18 | 131,5 | 85 | 124 | 20 | 4 | 8x50 | 56,52x5,34 | 300 |
| 80 x 1" | 25 | 131,5 | 85 | 124 | 20 | 4 | 8x50 | 56,52x5,34 | 320 |
| 80 x 1"1/4 | 32 | 131,5 | 85 | 124 | 20 | 4 | 8x50 | 56,52x5,34 | 330 |
| 100 x 3/4" | 18 | 158 | 99,5 | 144,5 | 21,5 | 4 | 8x50 | 72,39x5,34 | 390 |
| 100 x 1" | 25 | 158 | 99,5 | 144,5 | 18,5 | 4 | 8x50 | 72,39x5,34 | 400 |
| 100 x 1"1/4 | 32 | 158 | 99,5 | 144,5 | 18,5 | 4 | 8x50 | 72,39x5,34 | 390 |
| 120 x 3/4" | 18 | 168 | 100 | 159 | 21,5 | 4 | 8x50 | 72,39x5,34 | 410 |
| 120 x 1" | 25 | 168 | 100 | 159 | 18,5 | 4 | 8x50 | 72,39x5,34 | 390 |
| 120 x 1"1/4 | 32 | 168 | 100 | 159 | 18,5 | 4 | 8x50 | 72,39x5,34 | 410 |

Pres a staffa doppia per tubi zincati

Art. 17040

Double clamp saddle for galvanized pipes

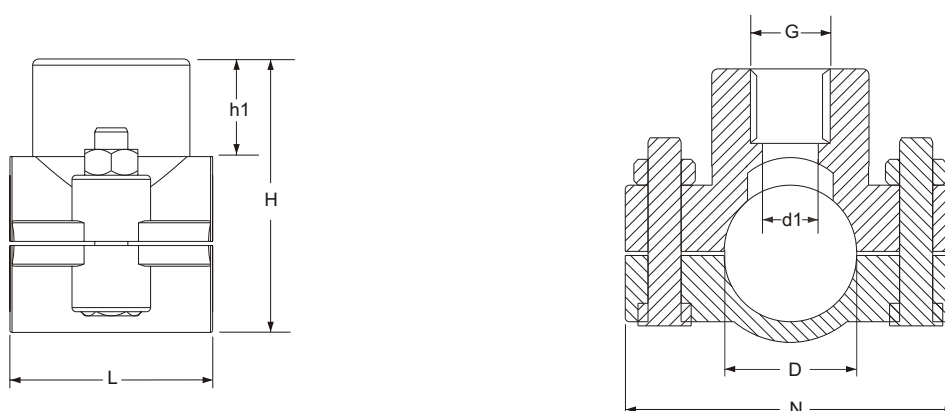


| D x G | d1 | N | L | H | h1 | Bulloni | | O.R | Peso |
|-------------|----|-------|------|-------|------|---------|------|------------|------|
| | | | | | | N. | Tipo | | |
| 60 x 1"1/2 | 18 | 101 | 68 | 110 | 17 | 4 | 8x50 | 42,86x3,53 | 240 |
| 60 x 3/4" | 23 | 99 | 68 | 114,5 | 17 | 4 | 8x50 | 42,86x3,53 | 240 |
| 60 x 1" | 23 | 99 | 68 | 111 | 17 | 4 | 8x50 | 42,86x3,53 | 230 |
| 60 x 1"1/4 | 32 | 101 | 68 | 110 | 17 | 4 | 8x50 | 42,86x3,53 | 240 |
| 80 x 1/2" | 18 | 131,5 | 85 | 144 | 20 | 4 | 8x50 | 56,52x5,34 | 340 |
| 80 x 3/4" | 18 | 131,5 | 85 | 144 | 20 | 4 | 8x50 | 56,52x5,34 | 340 |
| 80 x 1" | 25 | 131,5 | 85 | 144 | 20 | 4 | 8x50 | 56,52x5,34 | 340 |
| 80 x 1"1/4 | 32 | 131,5 | 85 | 144 | 20 | 4 | 8x50 | 56,52x5,34 | 350 |
| 100 x 3/4" | 18 | 158 | 99,5 | 166 | 21,5 | 4 | 8x50 | 72,39x5,34 | 410 |
| 100 x 1" | 25 | 158 | 99,5 | 163 | 18,5 | 4 | 8x50 | 72,39x5,34 | 430 |
| 100 x 1"1/4 | 32 | 158 | 99,5 | 163 | 18,5 | 4 | 8x50 | 72,39x5,34 | 470 |
| 120 x 3/4" | 18 | 168 | 100 | 180,5 | 21,5 | 4 | 8x50 | 72,39x5,34 | 430 |
| 120 x 1" | 25 | 168 | 100 | 177,5 | 18,5 | 4 | 8x50 | 72,39x5,34 | 420 |
| 120 x 1"1/4 | 32 | 168 | 100 | 177,5 | 18,5 | 4 | 8x50 | 72,39x5,34 | 420 |

Pres a staffa semplice per tubi in PE e PVC

Art. 17005

Clamp saddle for PE and PVC pipes

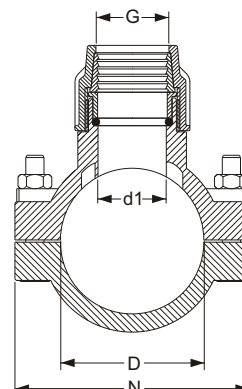
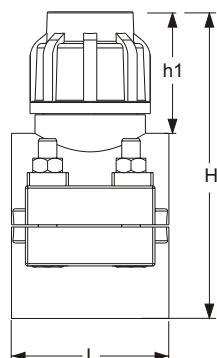


| D x G | d1 | N | L | H | h1 | Bulloni | | O.R | Peso |
|-----------|------|----|----|----|------|---------|------|------------|------|
| | | | | | | N. | Tipo | | |
| 20 x 1/2" | 10,5 | 68 | 38 | 47 | 22 | 2 | 6x30 | 10,78x2,62 | 70 |
| 25 x 1/2" | 13,5 | 70 | 38 | 53 | 23,5 | 2 | 6x30 | 10,78x2,62 | 70 |
| 25 x 3/4" | 13,5 | 70 | 38 | 53 | 24 | 2 | 6x30 | 10,78x2,62 | 70 |

Pres a staffa doppia con raccordo a compressione

Art. 17910

Clamp saddle for PE and PVC pipes with compression fittings



| D x G | d1 | N | L | H | h1 | Bulloni | | O.R | Peso |
|----------|------|-------|------|-------|------|---------|------|------------|------|
| | | | | | | N. | Tipo | | |
| 63 x 25 | 23,5 | 97,5 | 67,5 | 138,5 | 56 | 4 | 8x50 | 31x5 | 297 |
| 75 x 25 | 23,5 | 118 | 76 | 153 | 58 | 4 | 8x50 | 56,52x5,34 | 270 |
| 75 x 32 | 30,5 | 118 | 76 | 157 | 63 | 4 | 8x50 | 56,52x5,34 | 380 |
| 90 x 25 | 25 | 131,5 | 86 | 159 | 59 | 4 | 8x50 | 56,52x5,34 | 392 |
| 90 x 32 | 30,5 | 131,5 | 86 | 173 | 64,5 | 4 | 8x50 | 56,52x5,34 | 414 |
| 110 x 25 | 23,5 | 153 | 99 | 190,5 | 59 | 4 | 8x50 | 49x6,5 | 500 |
| 110 x 32 | 30,5 | 153 | 99 | 193 | 62,5 | 4 | 8x50 | 49x6,5 | 531 |
| 110 x 40 | 36,5 | 157 | 99 | 208 | 76,5 | 4 | 8x50 | 49x6,5 | 610 |
| 125 x 25 | 23,5 | 161 | 99,5 | 206 | 59 | 4 | 8x50 | 72,39x5,34 | 515 |
| 125 x 32 | 30,5 | 166,5 | 99,5 | 209 | 63,5 | 4 | 8x50 | 72,39x5,34 | 540 |

PLASTICA ALFA s.r.l.

Sede legale e Stabilimento: Zona Ind.le C.da Balchino - CALTAGIRONE (CT) - Italy

Tel. +39 0933 51973 - Fax +39 0933 53049

Internet: www.plasticaalfa.com - E-mail: info@plasticaalfa.com